

## Mechanical Valve



### Ordering code

**MSV**

**Specification**  
Mechanical valve

**86**

**Series**  
86 Series  
98 Series

**32**

**Position and way NO.**  
32:3/2 way  
52:5/2 way

**1**

**Port size**  
1: G1/8"  
2: G1/4"

**R**

**Button type**  
Blank: Basic type  
R: Roller type  
TB: Selective knob  
LB: Strengthened knob  
PB: Large round button  
PP: Flat round button  
PPL: Convex round button  
EB: With lock button

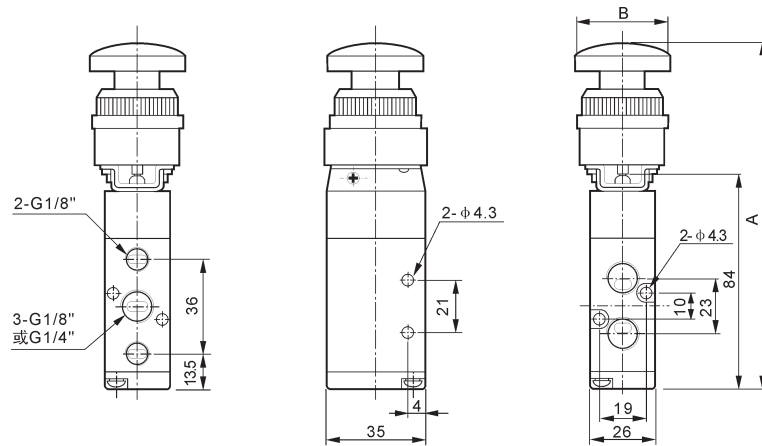
### Specifications

Model	MSV86321	MSV86522	MSV98322
Fluid	40 micron filtered air		
Position and way NO.	3/2 way	5/2 way	3/2 way
Effective area	12mm <sup>2</sup> (CV=0.67)	16mm <sup>2</sup> (CV=0.89)	16mm <sup>2</sup> (CV=0.89)
Port size	G1/8"	G1/4"	G1/4"
Operating pressure	0~0.8MPa		
Operating temperature	0~60℃		

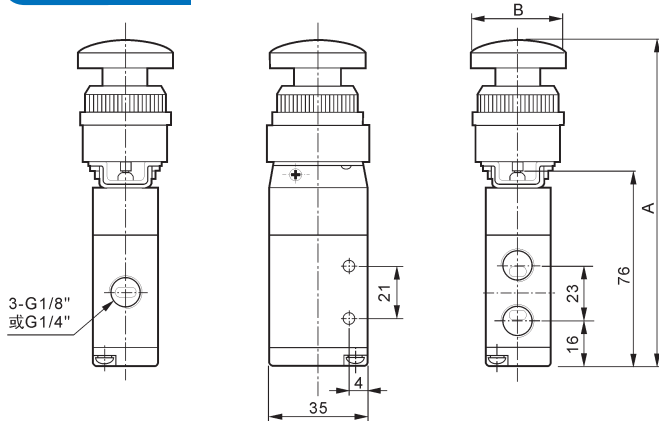
## Mechanical Valve

### Dimensions

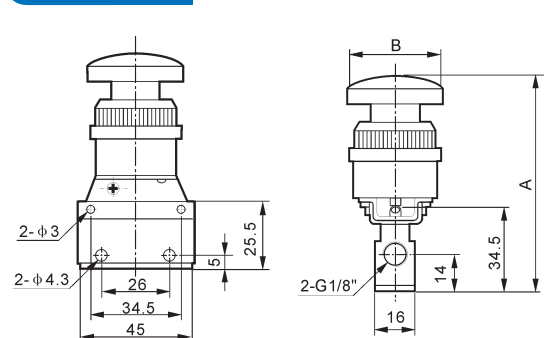
#### MSV86522



#### MSV98322

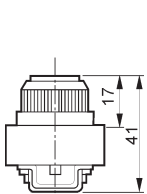


#### MSV86321

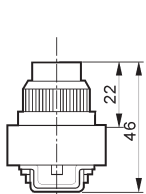


Series	Symbol / Model	PP	PPL	LB	TB	EB	PB	R
MSV86522	A	114	119	133	136.5	134	131	107.5
	B	39.5	24.5	26.5	36.5	39.5	37.5	42.5
MSV98322	A	106	111	125	129.5	126	123	99.5
	B	39.5	24.5	26.5	36.5	39.5	37.5	42.5
MSV86321	A	66	71	85	88.5	86	83	59.5
	B	39.5	24.5	26.5	36.5	39.5	37.5	42.5

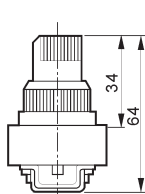
#### PP



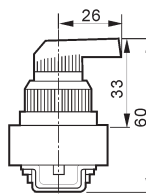
#### PPL



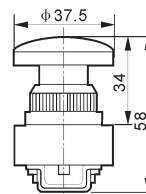
#### TB



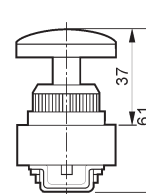
#### LB



#### PB



#### EB



#### R

